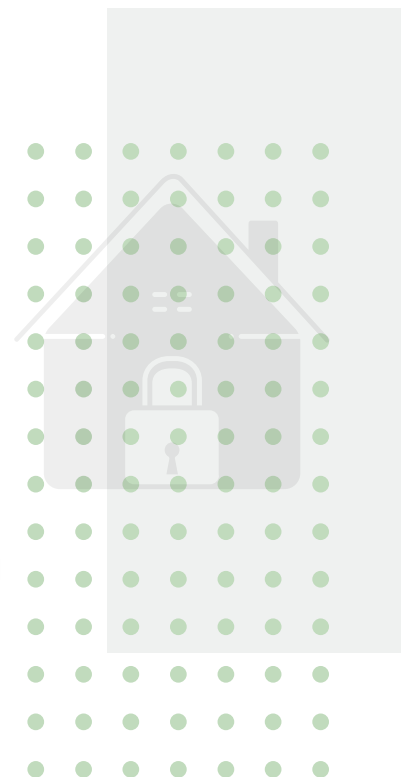




# EURO CYLINDER



# PRODUCT OVERVIEW



The Euro Cylinder lock is a high-performance locking system designed to offer enhanced security, durability, and ease of use for both residential and commercial applications. Crafted with precision engineering, Euro Cylinders are ideal for doors requiring advanced security, including wooden, uPVC, composite, and metal doors.

## Key Features & Benefits



**Security Measured:** The Euro Cylinder is equipped with anti-bump features to prevent unauthorized entry.



**Durability:** Made from high-grade materials, the cylinder is resistant to wear and corrosion, ensuring a long lifespan.



**Ease of Installation:** Designed for quick and simple installation in most types of doors, with a standard size that fits perfectly.



**Multiple Locking Options:** Available in a variety of locking mechanisms such as keyed-alike, master-keyed, and thumb-turn.



# PRODUCT SPECIFICATIONS



## Sizes Available

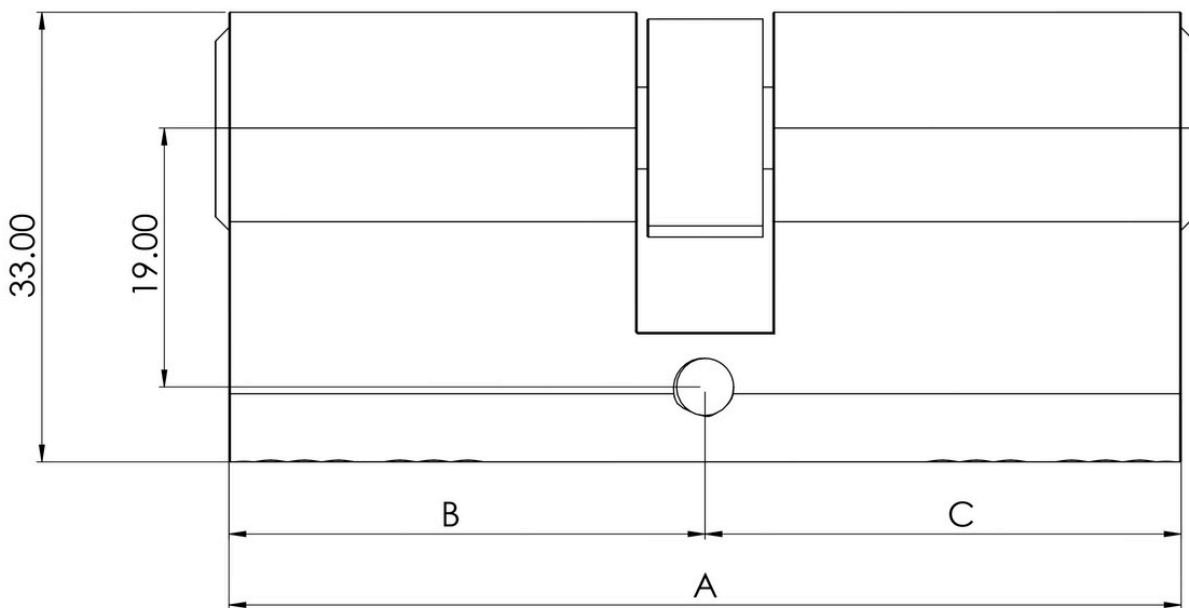
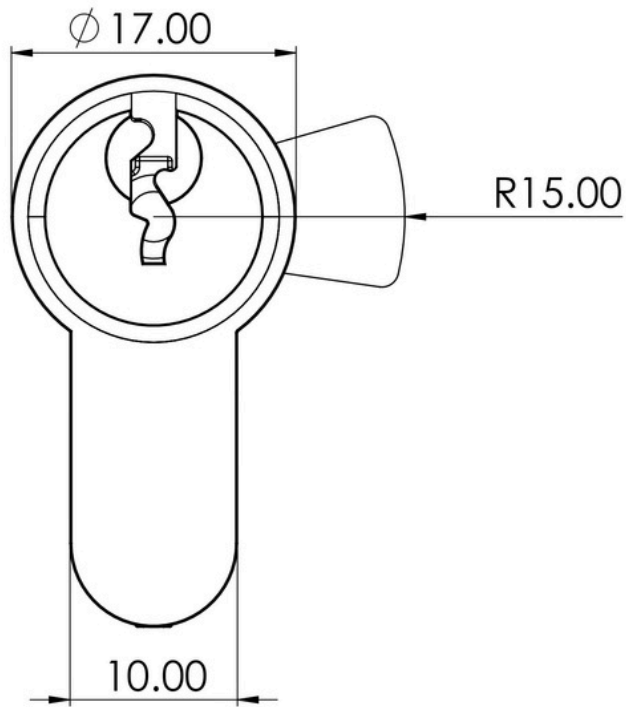
MM (A)	Sizes (B/C)	Description
100	S 45/55 NP KK	Key Key Cylinder
100	S 45/55 NP TT	Thumb Turn
100	S 55/45 NP TT	Thumb Turn
100	S 50/50 NP KK	Key Key Cylinder
100	S 50/50 NP KA-2	Key-Alike for 2 cylinders, 5 pairs in middle box
100	S 50/50 NP TT	Thumb Turn
95	S 45/50 NP KK	Key Key Cylinder
70	S 35/35 NP KK	Key Key Cylinder
70	S 35/35 NP KA-2	Key-Alike for 2 cylinders, 5 pairs in middle box
70	S 35/35 NP TT	Thumb Tun
60	S 30/30 NP KK	Key Key Cylinder
50	S 40/10 NP KK	Key Key Cylinder

NP : Nickel Plated

3 pcs Square keys for every Cylinder

50 pieces in carton for all sizes

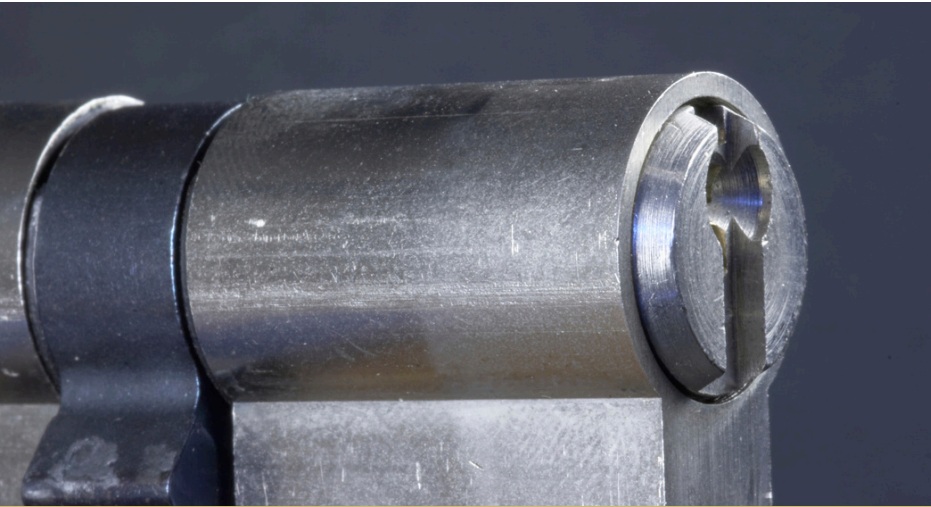
# PRODUCT DIAGRAM



\* All dimensions are in mm



# INSTRUCTIONS



**Anti-Drill:  
Hardened  
steel pins  
resist drilling  
attempts**



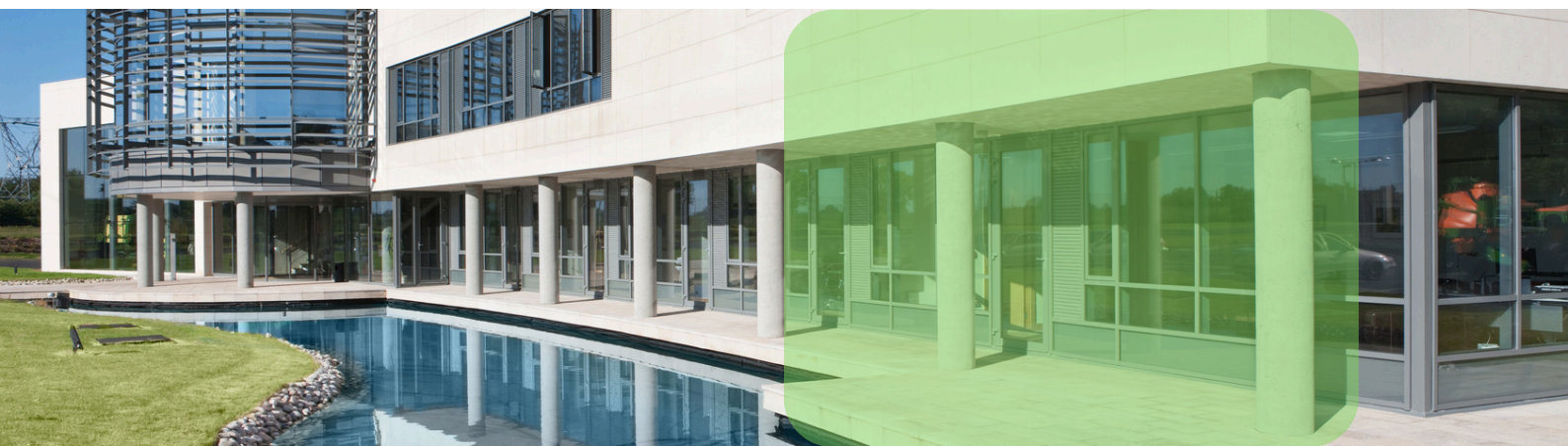
## How to Choose the Right Euro Cylinder

- **Security Features:** Look for anti-pick, anti-bump, and anti-snap technology.
- **Certification:** Ensure it meets security standards like SS312 Diamond or TS007.
- **Size Compatibility:** Choose a size that fits your door thickness perfectly.
- **Material:** Opt for hardened steel for superior drill resistance.
- **Ease of Use:** Ensure the cylinder offers smooth, reliable operation.



## Installation & Maintenance

- **Installation Tips:** The Euro Cylinder is easily installed using standard tools. Be sure to properly measure the door thickness and align the cylinder correctly for optimal performance.
- **Maintenance:** To ensure smooth operation, apply a lubricant to the keyhole periodically. Avoid using excessive force when turning the key.



**Secure entry doors  
for homes,  
apartments, and  
bungalows.**

Office buildings, retail shops,  
and industrial properties.



# CONTACT INFORMATION



Phone  
**+91 89287 67596**



Website  
**[www.marvelukltd.com](http://www.marvelukltd.com)**



Email  
**[info@marvelukltd.com](mailto:info@marvelukltd.com)**



Social Media  
**@MarvelLifeSciences**



**Revolutionizing  
Urban Living  
with Modern  
Residences**



Address - 18 Lower Road, Harrow,  
England, HA2 0DA.