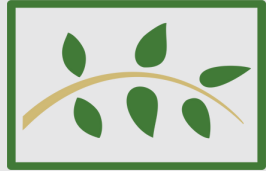


Window Handle





Introduction

Window handles are essential for the smooth functioning of windows, offering both security and style. Whether you're upgrading your home's aesthetics or looking for a reliable solution to secure your windows, our range of window handles is designed to cater to your specific needs. Crafted with durability and elegance in mind, our handles not only enhance the usability of your windows but also add a refined touch to your living spaces.





PRODUCT FEATURES



Durable Build

Made from high-quality materials such as zinc alloy,, ensuring longevity and resistance to wear and tear.



Universal Fit

Compatible with different window types, including casement, awning, tilt-and-turn, and sliding windows.



Corrosion-Resistant Finish

Available in multiple finishes like chrome, and Black and white powder-coated options that resist rust and environmental damage.

Ergonomic Design

Our handles are crafted for comfort, making window operation smooth and easy. The sleek design ensures a comfortable grip.

Smooth Operation

Precision-engineered mechanisms ensure seamless window opening and closing without friction or jamming.

Secure Locking Mechanism

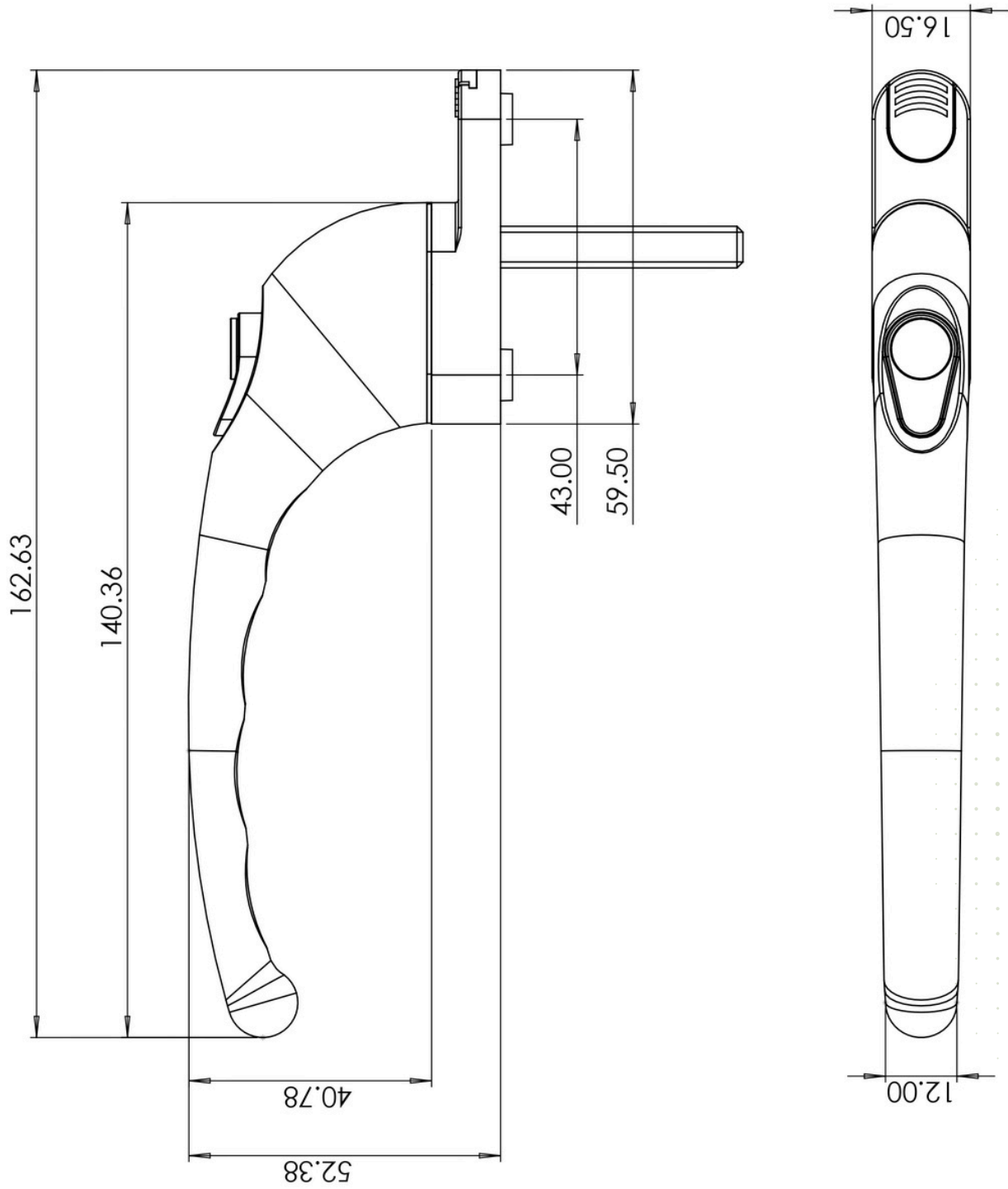
Key-lockable options for enhanced security.

Benefits

- **Enhanced Security:** Our window handles are designed with advanced locking systems that deter break-ins and provide peace of mind.
- **Energy Efficiency:** Properly sealed and functional windows help in improving energy efficiency by reducing drafts and keeping indoor temperatures stable.
- **Aesthetic Appeal:** Whether modern or traditional, Marvel life ensures that your customers' windows are both functional and stylish.
- **Ease of Installation:** Easy-to-follow instructions and universal fitting mean that our handles can be installed without professional help.
- **Low Maintenance:** With durable finishes and precision engineering, our handles require minimal maintenance and remain looking and functioning like new for years.



DIAGRAM



* All dimensions are in mm



Available

Finishes

02. White Powder Coated



01. Polished Chrome



03. Black Powder Coated

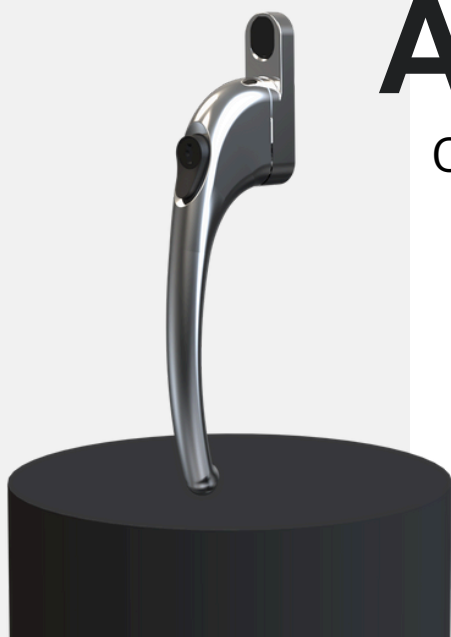


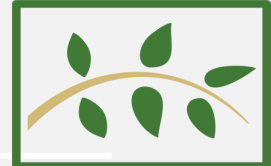


Applications

Our window handles are suitable for

- Residential Homes: Enhance your home's security and style with our range of handles that blend perfectly with modern and traditional window designs.
- Commercial Spaces: For offices, hotels, and retail spaces, where aesthetics and functionality need to work together.
- Renovation Projects: Ideal for retrofitting old windows with new, stylish, and secure handles, improving both appearance and function.
- New Builds: Our range of window handles is perfect for new constructions that require modern, durable, and aesthetically pleasing solutions.





Why Choose Us

- Trusted Brand: Years of experience in providing quality hardware solutions.
- Expert Support: Our team of experts is available to provide advice on the best handles for your specific window types.
- Warranty: All our window handles come with a manufacturer's warranty to ensure peace of mind.



Contact

+91 89287 67596

info@marvelukltd.com

www.marvelukltd.com

18 Lower Road, Harrow, England, HA2 0DA.

